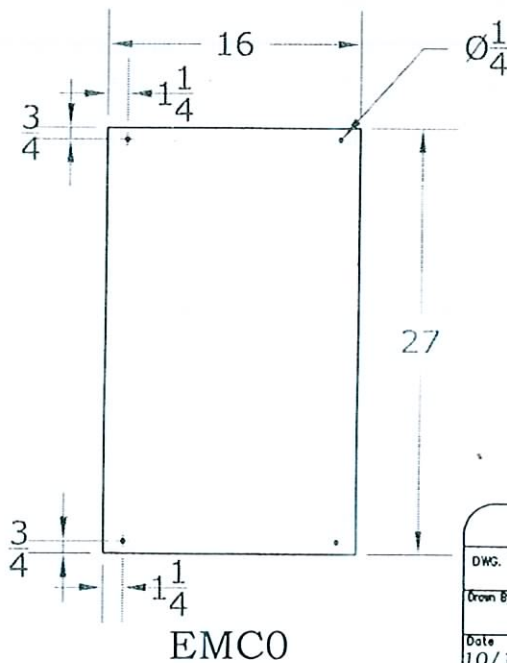
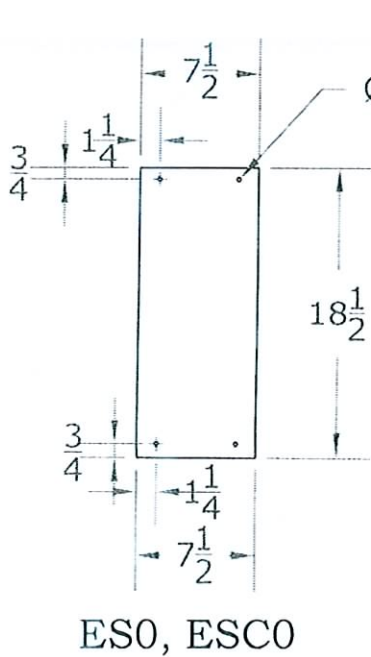
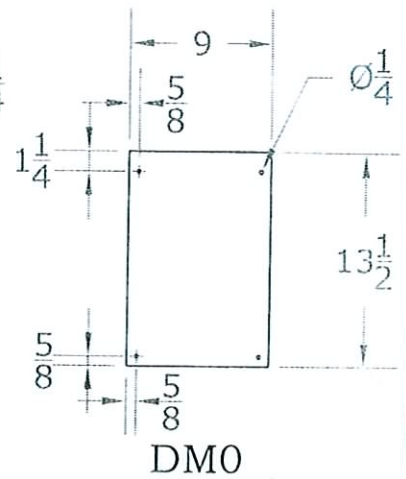
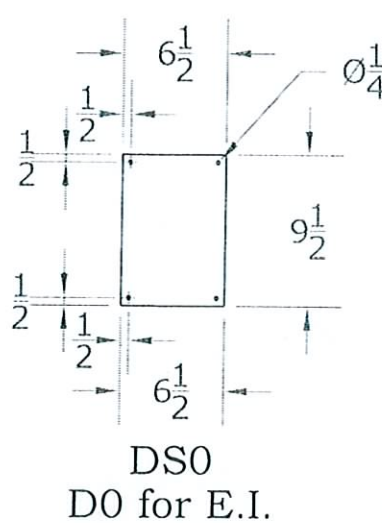
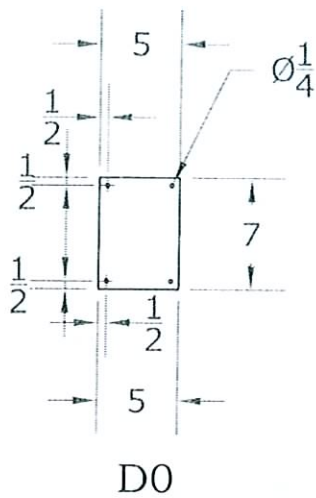
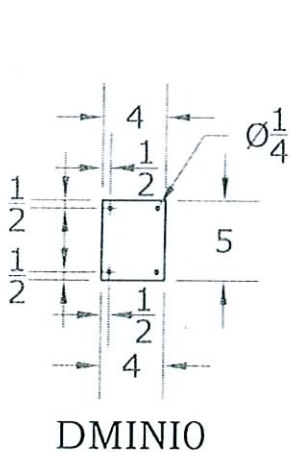
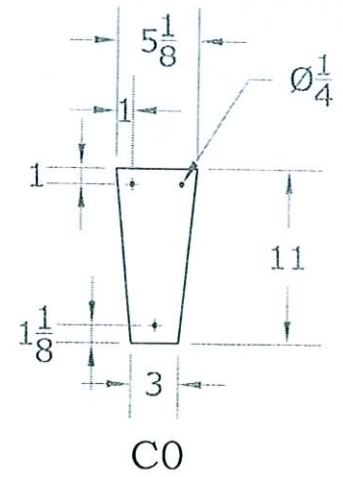
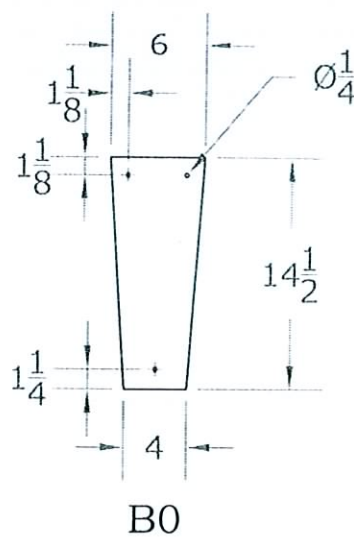
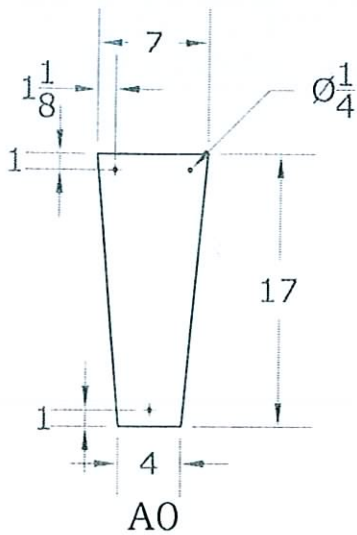


# WALL BOXES

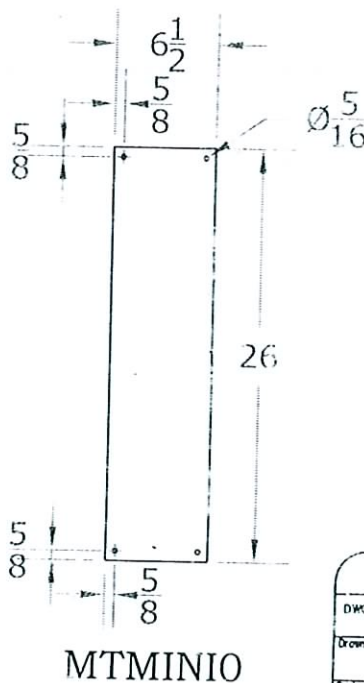
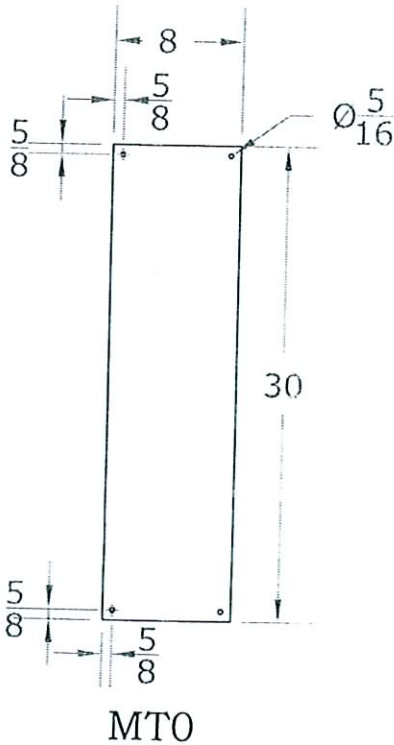
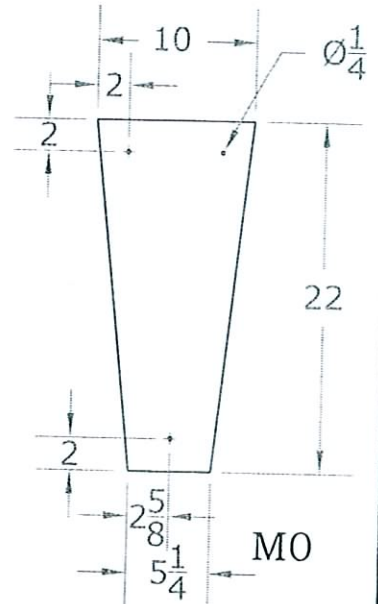
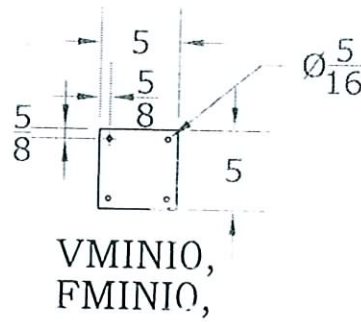
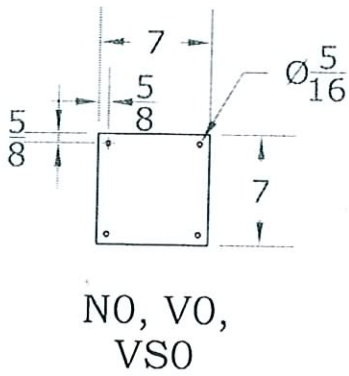
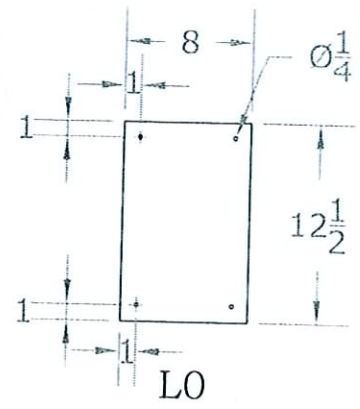
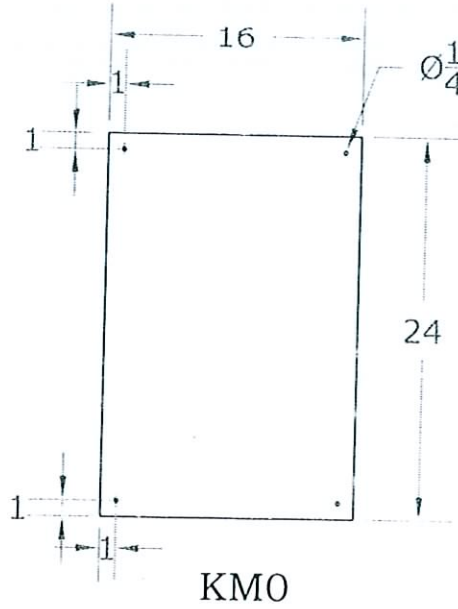
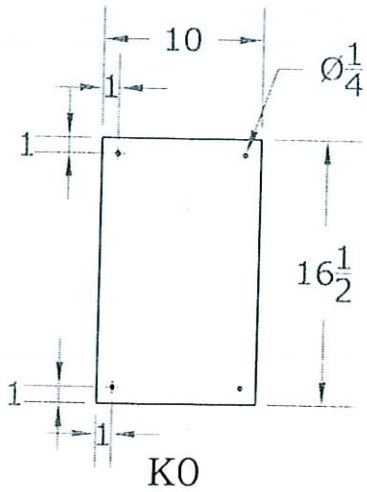


**NOTE:**

WALL BOXES WILL BE 2<sup>5</sup>/<sub>8</sub>" DEEP  
 ON FLUSH MOUNT LIGHTS, SUCH AS THE "K" & "E", WALL BOXES WILL BE 2" DEEP ON STANDARD & 3" DEEP FOR E.I.  
 SMALLER LIGHTS, SUCH AS THE "C" & "L", MUST BE ELECTRIC DUE TO THEIR SIZE & THEY WILL HAVE A 1" DEEP WALL BOX

<b>COPPER SCULPTURES INC.</b>		
DWG. TITLE: <b>WALL BOXES</b>		
Drawn By: <b>A. Harris</b>	DWG. NO.:	BY: <b>SHB</b>
Date: <b>10/17/03</b>	SCALE: <b>1"=1'-0"</b>	DIST. NAME: <b>REFERENCE</b>
Revision Date: <b>7/31/06</b>		

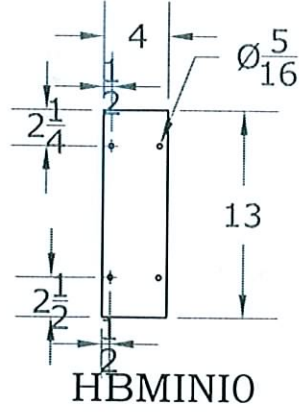
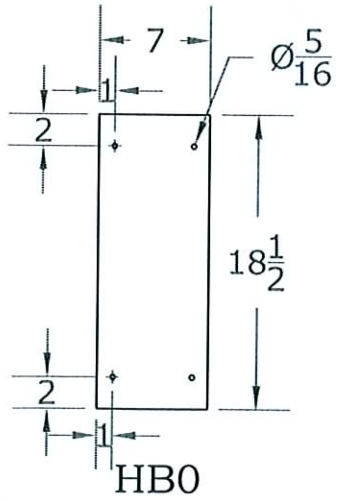
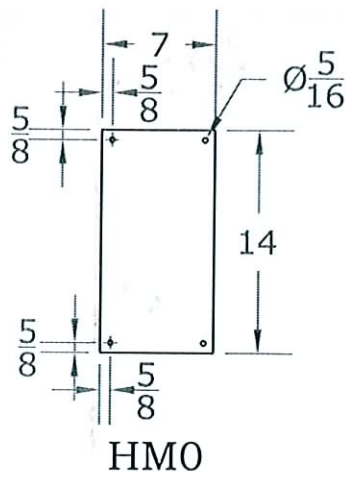
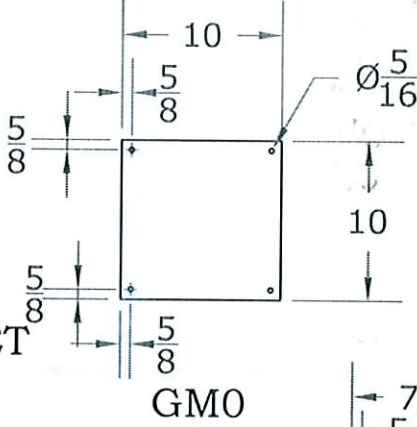
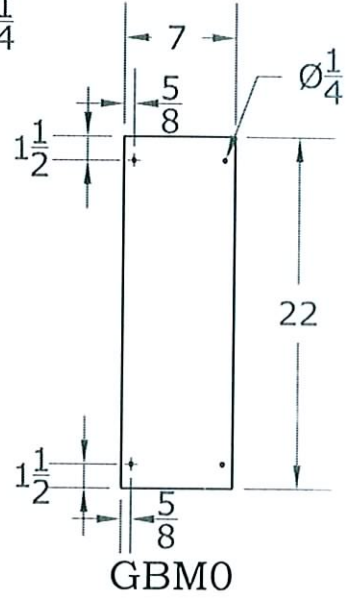
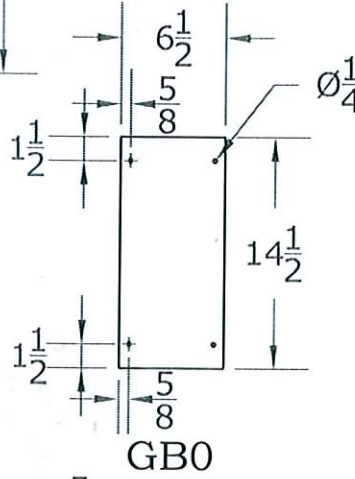
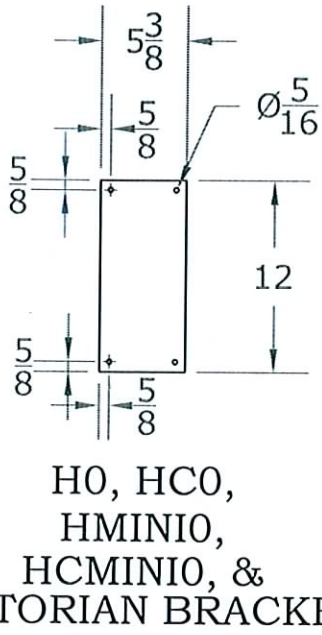
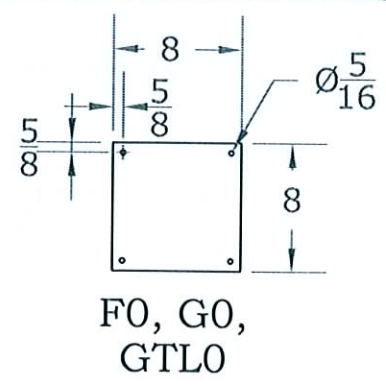
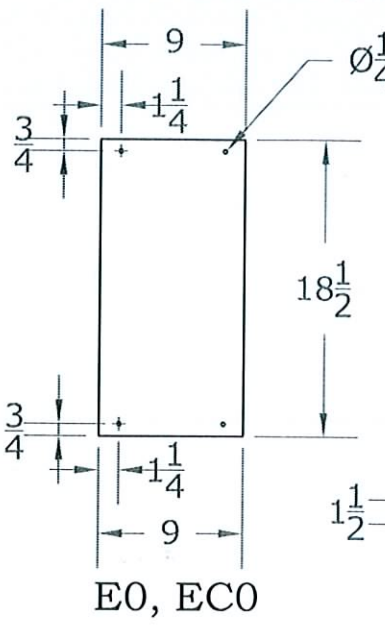
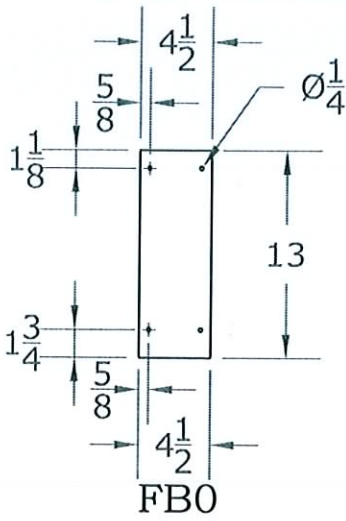
# WALL BOXES



NOTE:  
 WALL BOXES WILL BE 2 5/8" DEEP  
 ON FLUSH MOUNT LIGHTS, SUCH AS THE "K"&"E", WALL BOXES WILL BE 2" DEEP ON STANDARD & 3" DEEP FOR E.I.  
 SMALLER LIGHTS, SUCH AS THE "C" & "L", MUST BE ELECTRIC DUE TO THEIR SIZE & THEY WILL HAVE A 1" DEEP WALL BOX

<b>COPPER SCULPTURES INC.</b>		
DWG. TITLE: <b>WALL BOXES</b>		
Drawn By: <b>A.Harris</b>	DWG NO.:	REV. SHEET NO.:
Date: 10/17/03	SCALE: 1"=1'-0"	CUST. NAME: <b>REFERENCE</b>
Revision Date: 7/31/06		

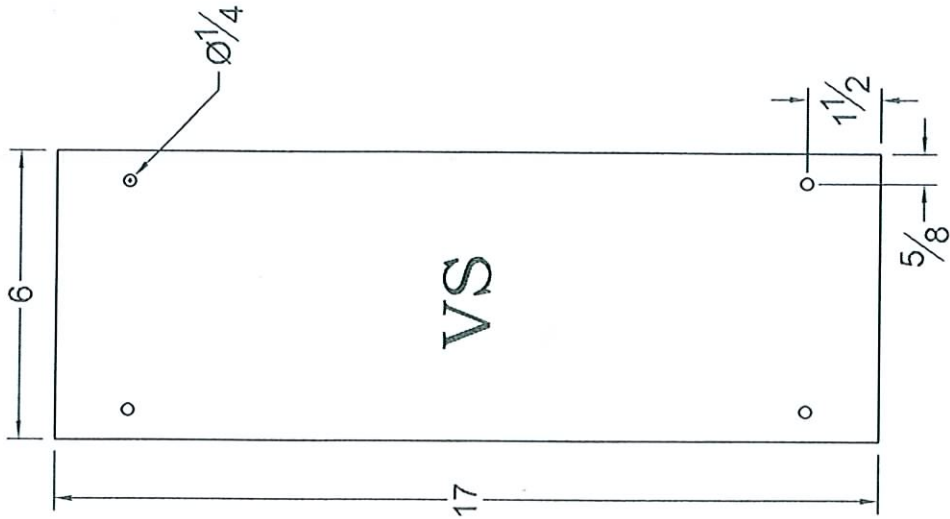
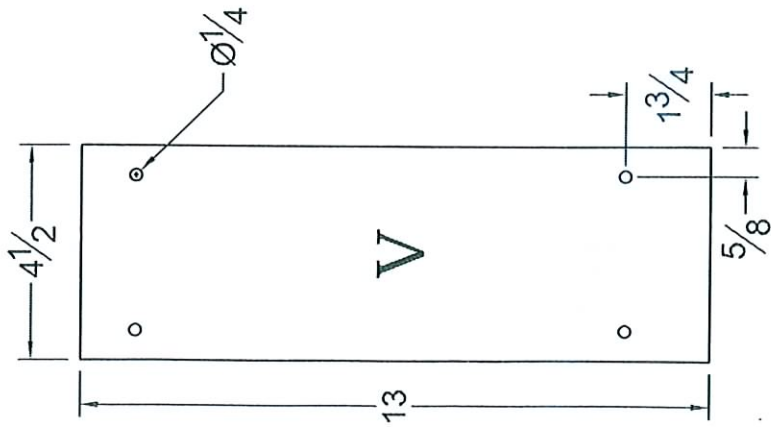
# WALL BOXES



NOTE:  
 WALL BOXES WILL BE 2 5/8" DEEP  
 ON FLUSH MOUNT LIGHTS, SUCH AS THE "K" & "E", WALL BOXES WILL BE 2" DEEP ON STANDARD & 3" DEEP FOR E.I.  
 SMALLER LIGHTS, SUCH AS THE "C" & "L", MUST BE ELECTRIC DUE TO THEIR SIZE & THEY WILL HAVE A 1" DEEP WALL BOX

COPPER SCULPTURES INC.		
DWG. TITLE: WALL BOXES		
Drawn By: A.Harris	DWG. NO.:	REV. DATE:
Date: 10/17/03	SCALE: 1"=1'-0"	DIST. NAME: REFERENCE
Revision Date: 7/31/06		

VICTORIAN WALL  
BRACKET 5"x12"



COPPER SCULPTURES INC.

WALL BOX DIMS

Drawn by: PJS

Date: 3-2-07

Scale: 3"=1'-0"

Dist. Name: WALL\_BOXES

Dist. Name: REFERENCE